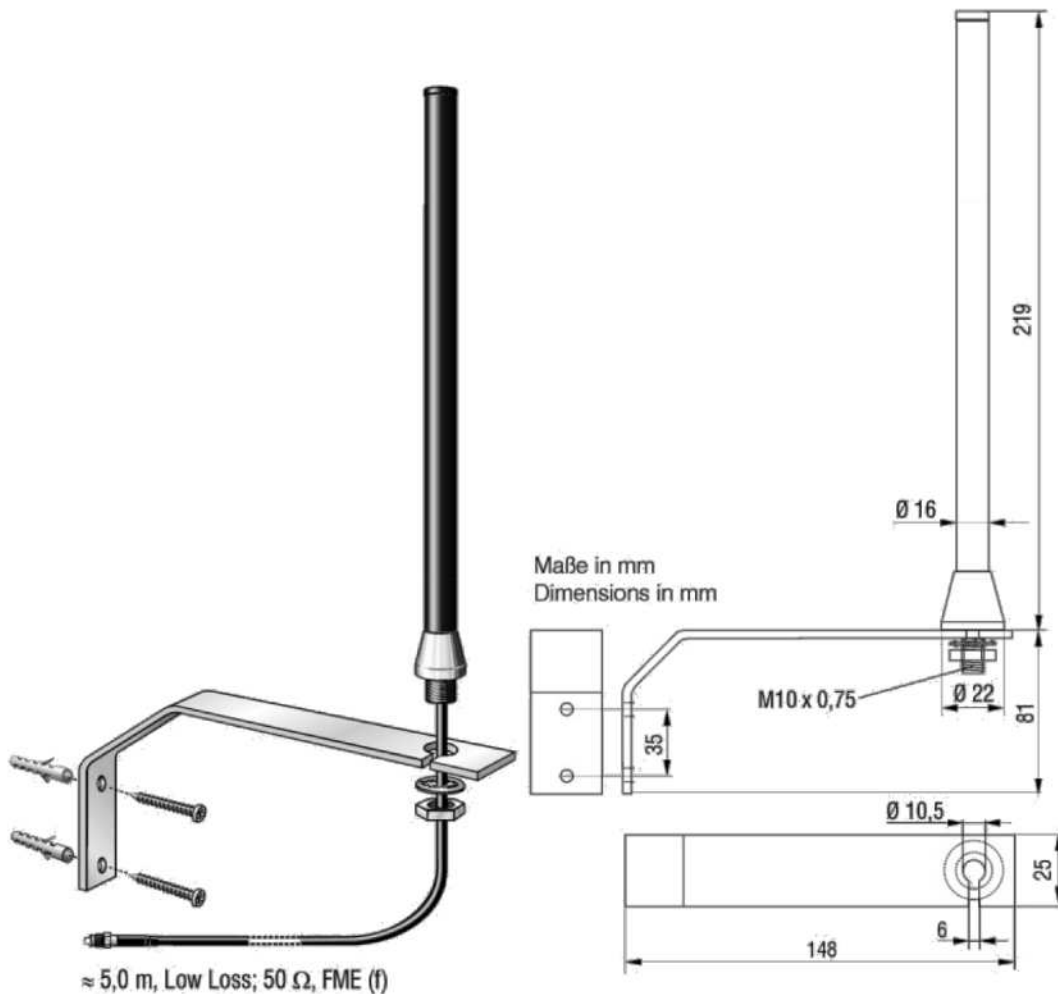


Technische Dokumentation

Stationsantenne für Aussenmontage

Best.Nr. M302809599



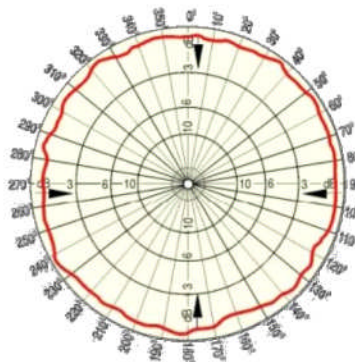
Stationsantenne für Aussenmontage		
Technical Data		
GSM	Frequency Range	850-960 / 1710-1880 / 1850-1990
	VSWR	≤ 2 : 1
	Gain	≈ 2 dBi
	Return loss	≈ 10 dB
	Power Max.	20 W
	Impedance	50 Ω
	Polarization	vertical
	Temperature range	-40°C .. +70°C
	UV resistance	exists
Mechanical Data		
	Dimensions (ØxL)	ca. 16 mm x 219 mm
	Weight	82g
	Temperature Range	-40°C to +70°C
	Connecting cable	Low Loss



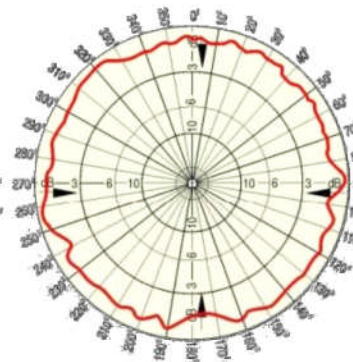
	Connection	1 m SMA (m)	1 m FME (f)
		5 m SMA (m)	5 m FME (f)
		10 m SMA (m)	10 m FME (f)
		15 m SMA (m)	15 m FME (f)
		20 m SMA (m)	20 m FME (f)
		25 m SMA (m)	25 m FME (f)
		30 m SMA (m)	30 m FME (f)

Directional Diagrams

Polarisation:
 vertikal bei 900 MHz
 Vertical polarisation
 at 900 MHz



Polarisation:
 vertikal bei 1800 MHz
 Vertical polarisation
 at 1800 MHz



Return Loss

